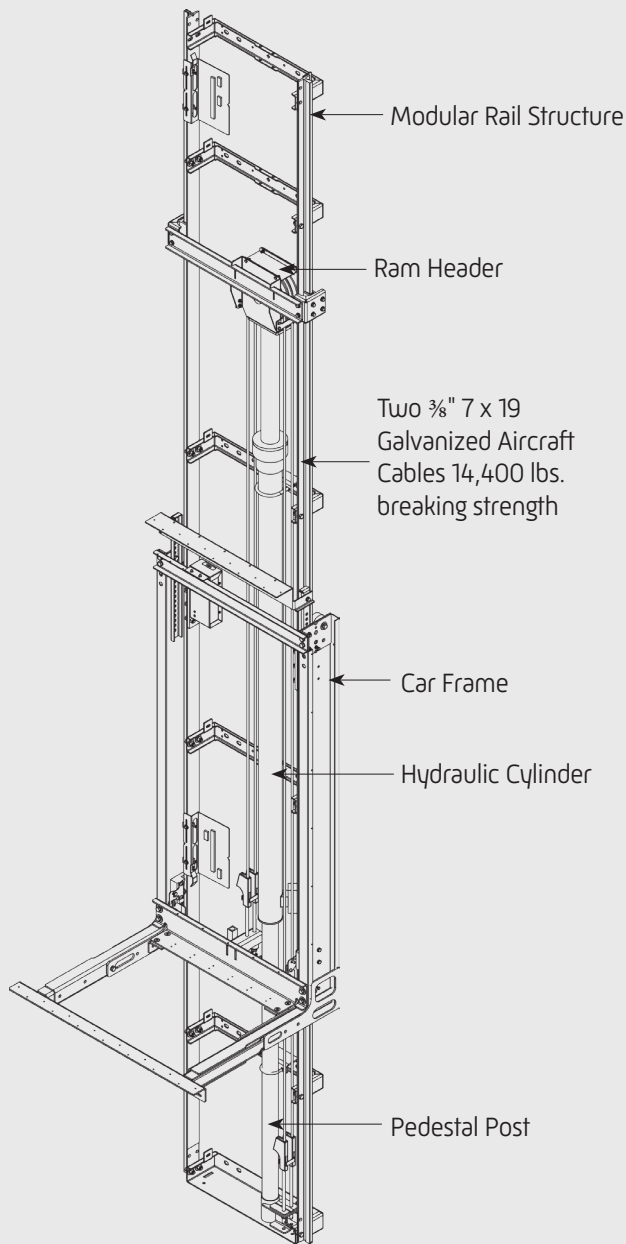


Hydraulic Drive

For Residential Applications



Industry Leading Warranty

- Three-year limited parts

Smoothest, Quietest Hydraulic Drive on the Market

The Hydraulic Drive is one of the most popular choices for homeowners looking for the quietest ride.

Standard Features

- Travel: Maximum of 50'0" (minimum 12 inches between stops)
- Speed: 40 fpm
- Rated Capacity: 1,000 lbs.
- Pit Depth: 6" minimum (8 inches preferred)
- Stops: Two
- Opening: Single
- Overhead: Minimum of 7'10" (94 inches) with a 7'0" interior car height
- Warranty: Three-year limited parts

Safety Features

- Slack rope safety device
- Line rupture valve
- Motor controller supply disconnects (located in controller)
- Car light supply disconnects (located in controller)
- Pit stop switch
- Car-top stop switch
- In-car emergency stop switch and alarm
- Safety switch for car gates/doors
- Battery back up emergency car lights and alarm
- Electro-mechanical hoistway door locking devices (doors by others)
- Enhanced gate/bypass monitor

Controls

- Programmable Logic Controller (PLC)
- Non-selective collective automatic operation
- S.M.A.R.T. system (Self-Monitoring Alert Response Technology)*
- Car Operating Panel (COP) with LED floor position indicator§
- Hall stations with call button and LED floor position indicator§
- Recessed phone box (phone jack included)§
- Automatic car lighting
- Single floor designated car homing
- Uninterruptible Power Supply (UPS) for car lowering and automatic car gate/door operation (if provided) in the event of a power failure*

Car Features

- Car size up to 15 square feet
- 7'0" interior car height
- Birch, Oak or Maple flat veneer interior walls with flat ceiling
- Matching wood handrail
- Matching wood car sill
- Unfinished plywood floor with sill set for ¾" (flooring by others)
- Two energy-saving recessed LED lights with Black trim rings
- Light Oak, Birch or White 7'0" laminate accordion door

Equipment

- Modular 6¼ lb. T-rail structure
- Car frame assembly
- 208/230 VAC, 60 Hz, 30 amp, single-phase power supply for motor controller
- 120 VAC, 60 Hz, 15 amp, single-phase power supply
- Code-compliant electrical disconnects included*
- Two ¾" x 7 x 19 galvanized aircraft cables (14,400 lbs. breaking strength) with wedge rope shackles
- 80 mm diameter piston/102 mm diameter cylinder including ¾ inch reducer bushing
- 3 HP submersed motor with 2-speed valve assembly
- Manual down valve for emergency lowering

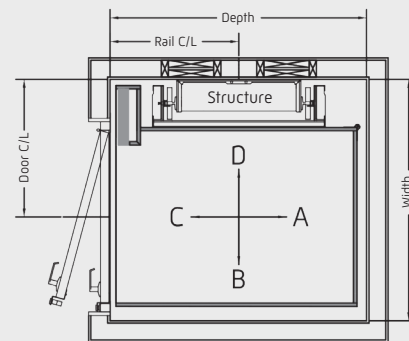
This brochure is intended for INFORMATIONAL PURPOSES ONLY and SHOULD NOT be used for construction.

Optional Features

- Up to six stops
- Single automatic push-button operation
- Custom car size up to 18 square feet**
- Custom car heights
- Shaker or Recessed panel car with flat ceiling
- Shaker, Recessed or Raised panel car with matching ceiling
- Four recessed LED lights with Black, Polished Brass, Brushed Nickel or Bronze trim rings
- Factory-finished car
- Fixtures including COPs, hall stations, phone boxes and handrails available in:
 - Polished or Blackened Stainless Steel
 - Brushed, Polished or Oil-Rubbed Solid Brass
 - Powder-Coated Black or Vintage Bronze
- COP with integrated keypad phone
- Custom wood interiors
- Custom factory finish, Distressed*
- "Green" material alternatives and finishes for car interiors*
- ¾ inch finished or unfinished installed hardwood car flooring
- Factory flooring insert for ¾ inch flooring by others
- Buffer springs (require minimum of 8¼ inch pit depth)
- Key switch for COP and/or hall stations
- Rated Capacity: 750 and 950 lbs.
- Light curtain monitoring the car entrance

Car Gate/Door Options

- Symmetry Safety 3-Panel car door*
- Two or three speed car door or car and landing door
- Wrap around car door‡
- Enterprise collapsible gate
- Dark Oak, Chalk, Antique White, Cherry, Walnut or Black laminate accordion door
- Hardwood veneer accordion door
- Clear or Smoked acrylic panel accordion door
- Automatic car gate/door operator (not available on the Enterprise collapsible gate)



Car Gate/Door	Car Size (W" x L")	Width	Depth	Rail C/L	Door C/L	Clear Opening
Accordion or Collapsible [1]	36" x 48"	50½"	54¼"	27½"	28¾"	33½"
	36" x 60"	50½"	66¼"	33½"	28¾"	33½"
	40" x 54"	54½"	60¼"	32"	32¾"	33½" [2]
Symmetry Safety 3-Panel (shown)	36" x 48"	52"	55"	31"	30¼"	33"
	36" x 60"	52"	67"	33½"	30¼"	33"
	40" x 54"	54½"	61"	31"	32¾"	33" [2]

[1] Collapsible gates will have a clear opening approximately 1" less than shown
 [2] 36" clear opening available—door centerlines may change

* Symmetry Elevating Solutions exclusive
 ** May require approval from the local authority having jurisdiction
 ‡ Availability depends on code year
 § Standard finish is Brushed Stainless Steel, but multiple finishes available

