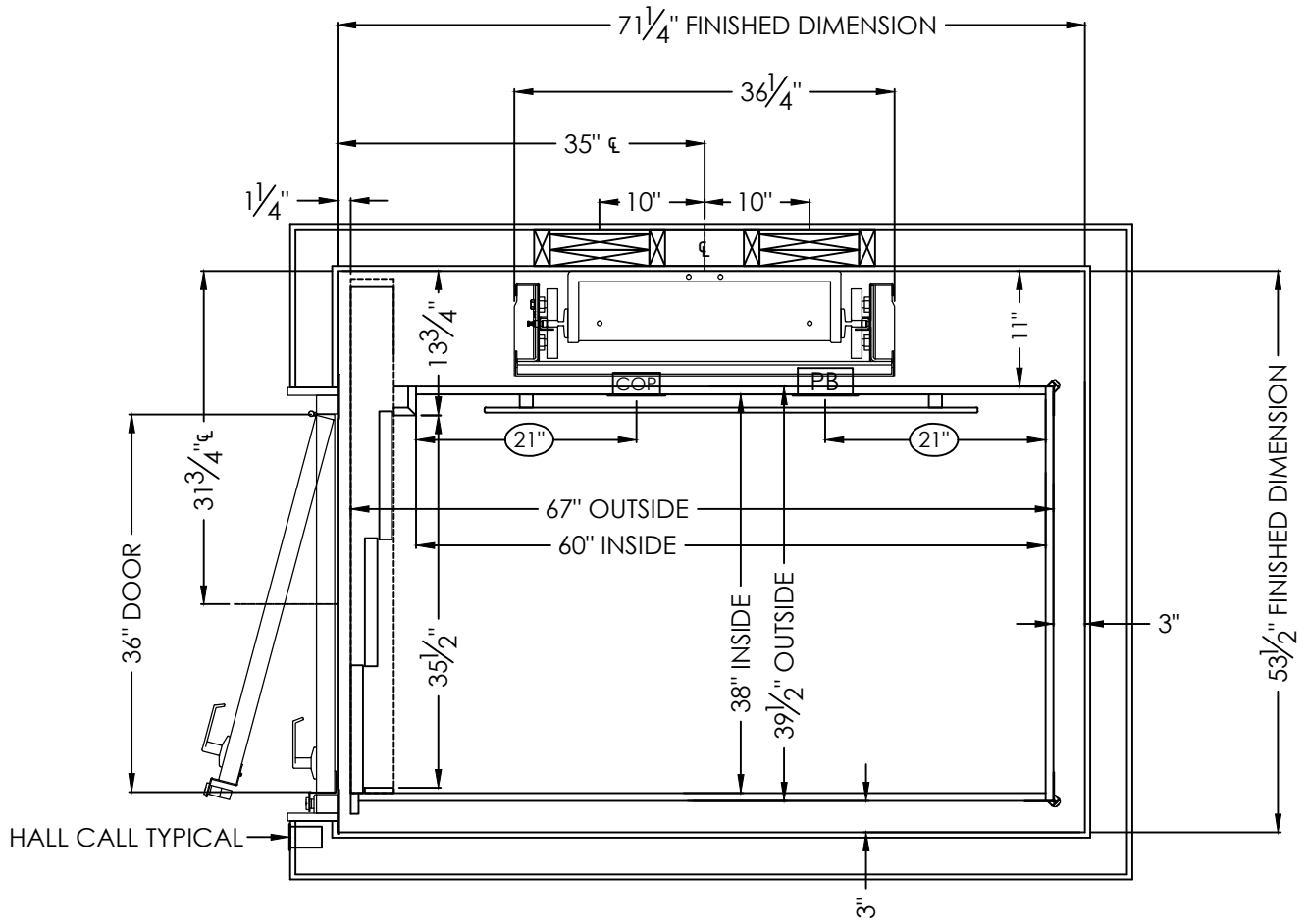
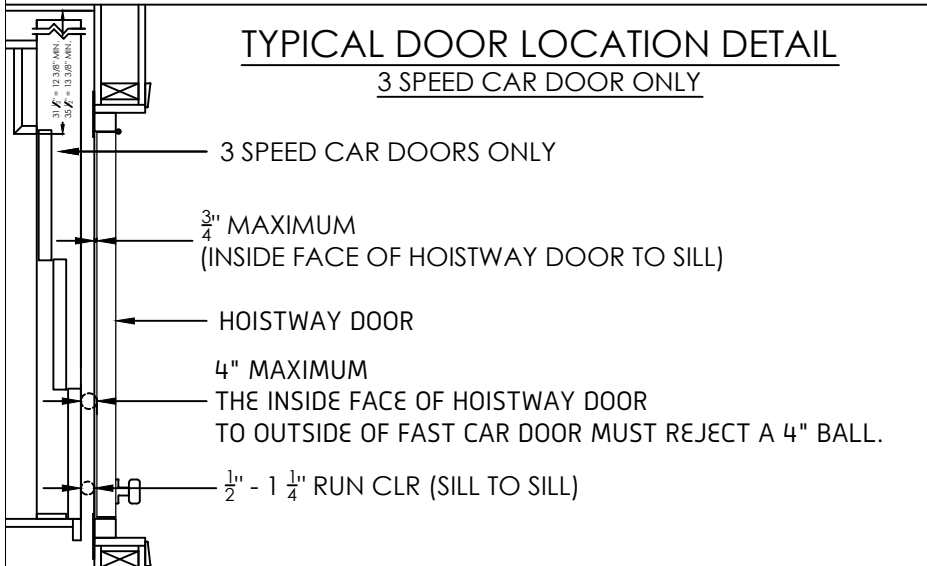


THIS DRAWING IS FOR
PLANNING PURPOSES ONLY
DO NOT USE FOR
CONSTRUCTION



NOTES:

CAR FLOORING AND FINISHINGS MUST NOT EXCEED 25 LBS



		SYMMETRY ELEVATING SOLUTIONS PH 877-375-1428		
		TITLE 38 X 60 SINGLE OPENING RL RH		
DRAWN BY		ORIGINAL DATE 04-02-2020	DRAWING NO. RE124	SCALE NONE REV 0
JOB INFORMATION THIS DRAWING IS FOR PLANNING PURPOSES ONLY, DO NOT USE FOR CONSTRUCTION				