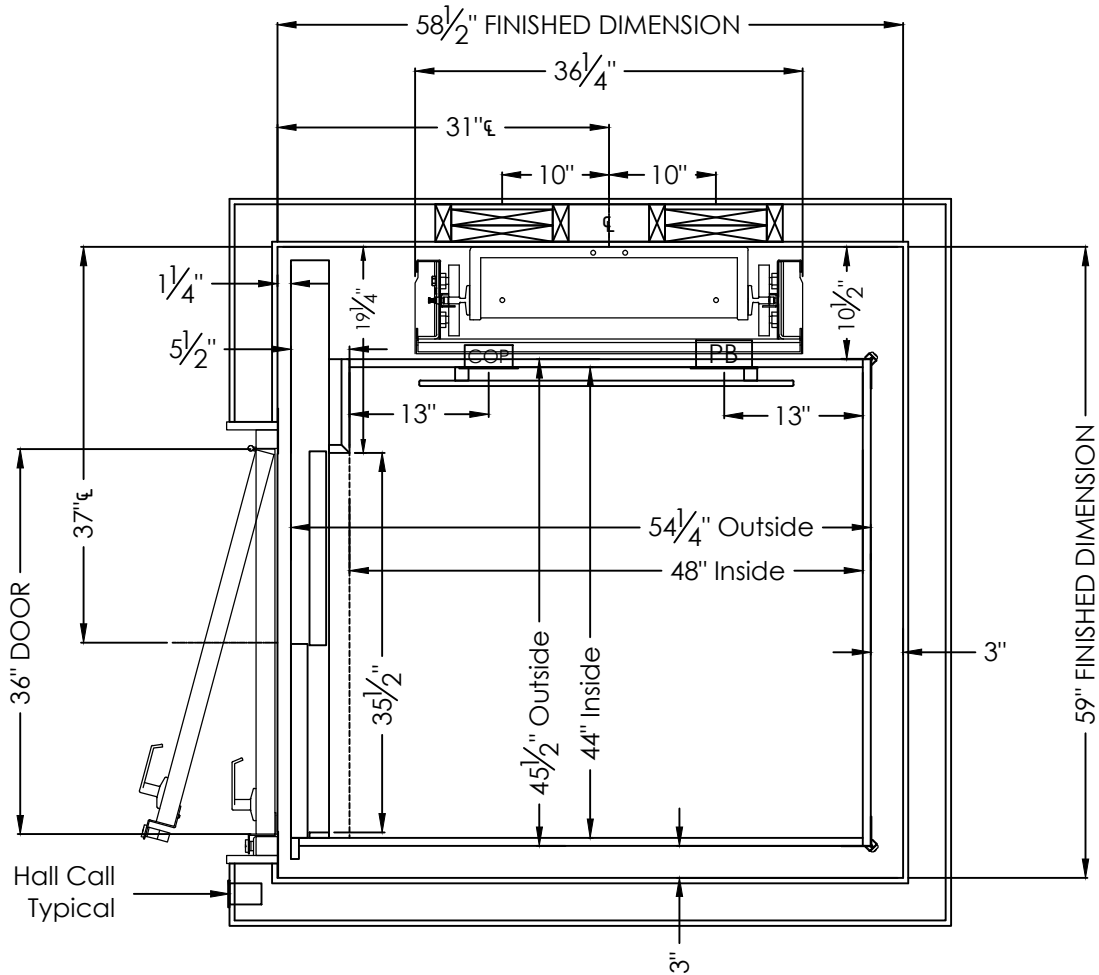
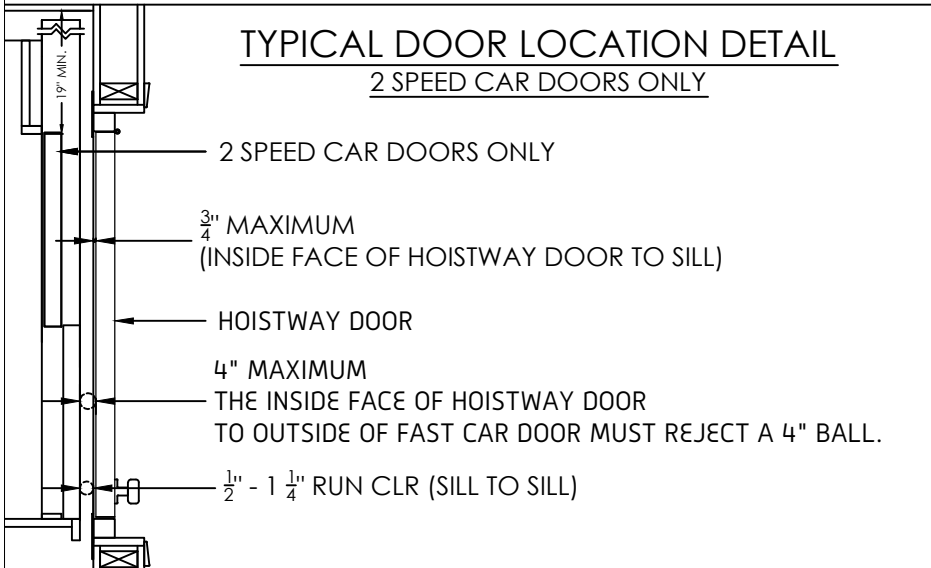


THIS DRAWING IS FOR
PLANNING PURPOSES ONLY
DO NOT USE FOR
CONSTRUCTION



NOTES:
CAR FLOORING AND FINISHINGS MUST NOT EXCEED 25 LBS

TYPICAL DOOR LOCATION DETAIL
2 SPEED CAR DOORS ONLY



symmetry SYMMETRY ELEVATING SOLUTIONS

TITLE 44 X 48 SINGLE OPENING RL RH		SCALE NONE	
DRAWN BY	ORIGINAL DATE 4-2-2020	DRAWING NO. RE144	REV R0

JOB INFORMATION
THIS DRAWING IS FOR PLANNING PURPOSES ONLY,
DO NOT USE FOR CONSTRUCTION