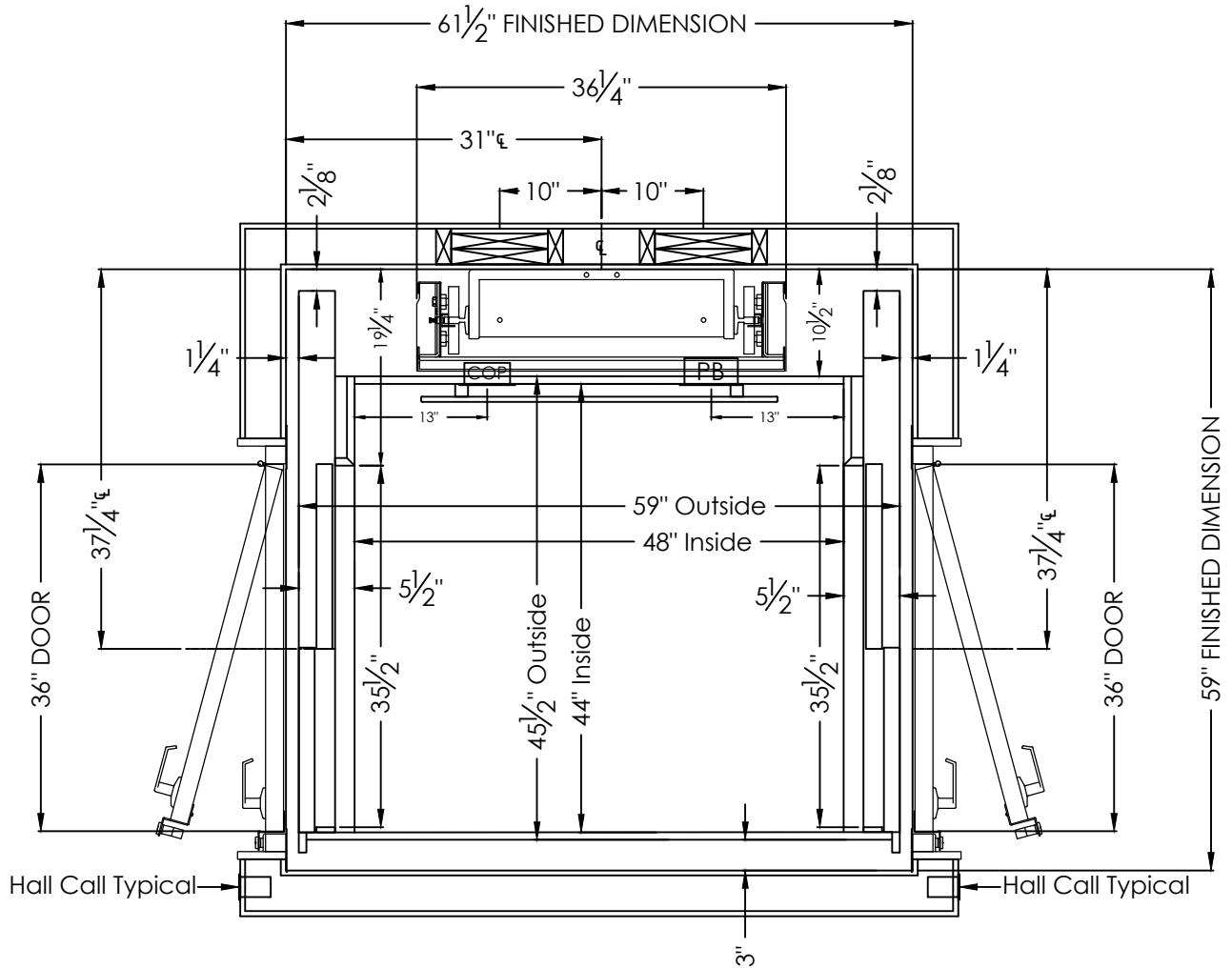
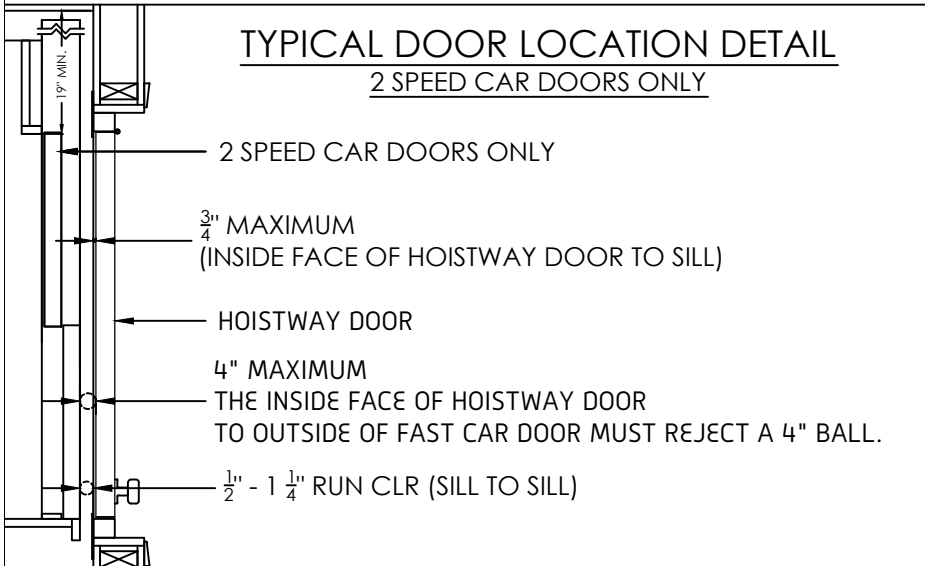


THIS DRAWING IS FOR
PLANNING PURPOSES ONLY
DO NOT USE FOR
CONSTRUCTION



NOTES:
CAR FLOORING AND FINISHINGS MUST NOT EXCEED 25 LBS



		SYMMETRY ELEVATING SOLUTIONS	
		TITLE 44 X 48 OPPOSITE OPENINGS RH LH	
DRAWN BY	ORIGINAL DATE 4-2-2020	DRAWING NO. RE179	SCALE NONE
JOB INFORMATION THIS DRAWING IS FOR PLANNING PURPOSES ONLY, DO NOT USE FOR CONSTRUCTION			