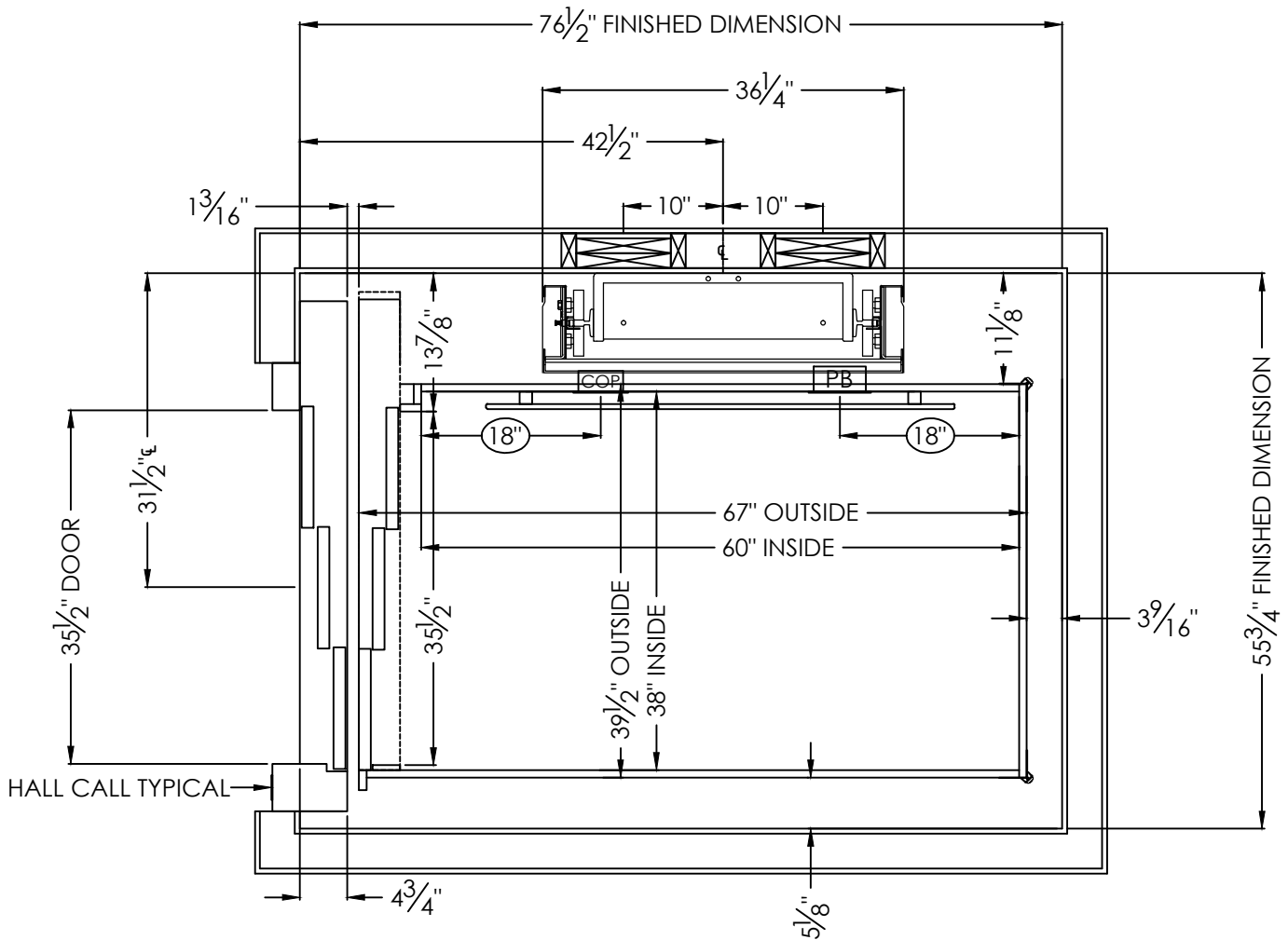
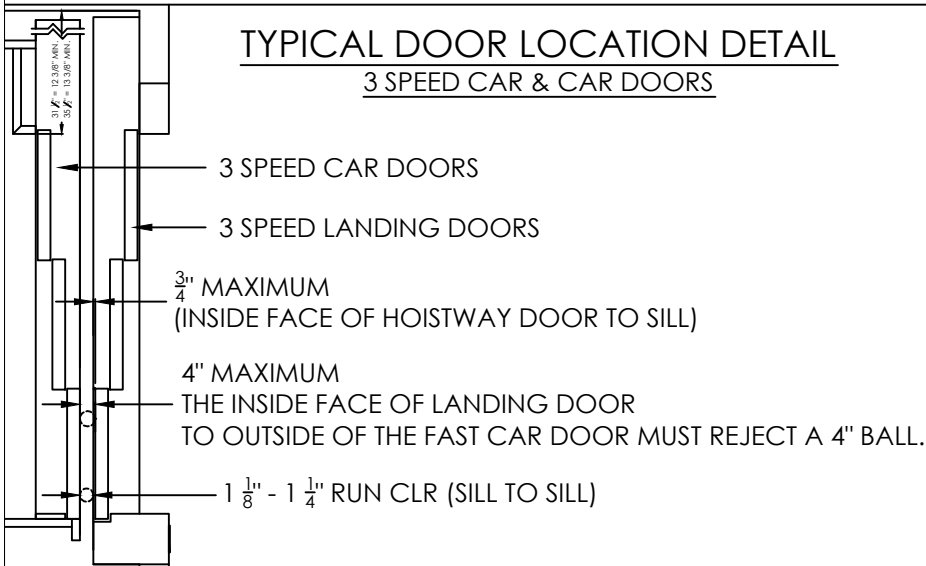


THIS DRAWING IS FOR  
 PLANNING PURPOSES ONLY  
 DO NOT USE FOR  
 CONSTRUCTION



NOTES:  
 CAR FLOORING AND FINISHINGS MUST NOT EXCEED 25 LBS



		SYMMETRY ELEVATING SOLUTIONS PH 877-375-1428		
		TITLE 38 X 60 SINGLE OPENING RL RH		
DRAWN BY		ORIGINAL DATE 04-02-2020	DRAWING NO. RE187	SCALE NONE
JOB INFORMATION THIS DRAWING IS FOR PLANNING PURPOSES ONLY, DO NOT USE FOR CONSTRUCTION		REV 0		