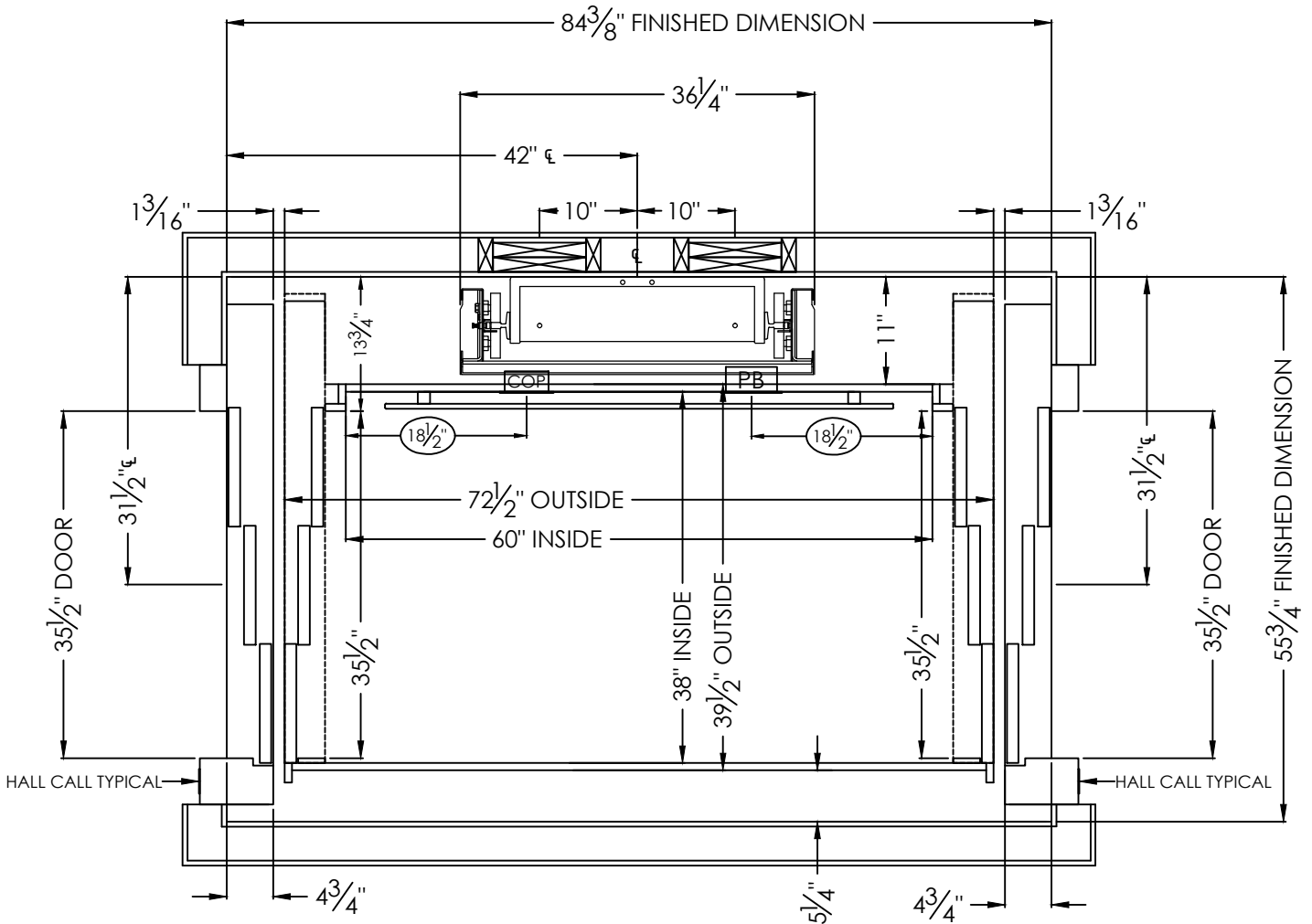
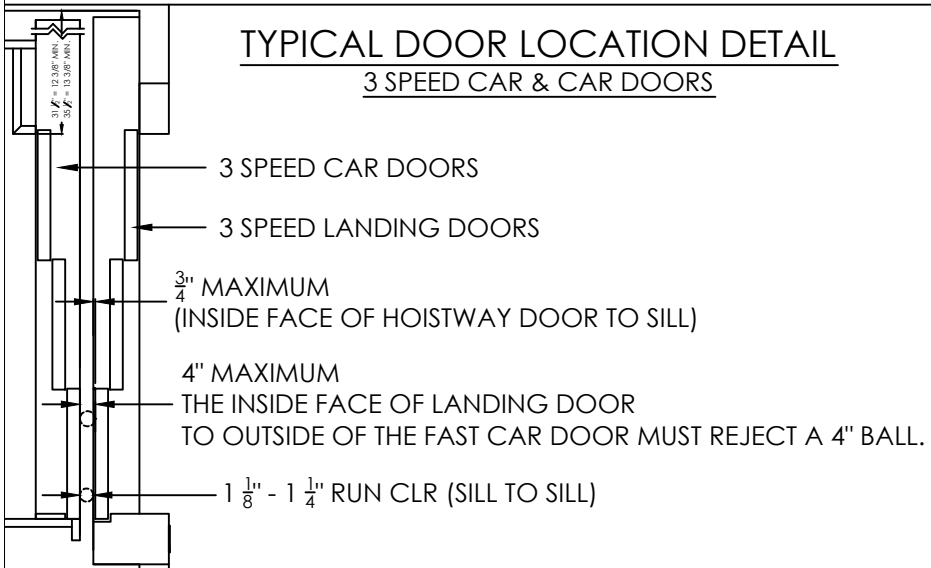


THIS DRAWING IS FOR  
PLANNING PURPOSES ONLY  
DO NOT USE FOR  
CONSTRUCTION



NOTES:

CAR FLOORING AND FINISHINGS MUST NOT EXCEED 25 LBS



		SYMMETRY ELEVATING SOLUTIONS PH 877-375-1428	
		TITLE	SCALE
38 X 60 OPPOSITE OPENINGS RH LH		NONE	
DRAWN BY	ORIGINAL DATE	DRAWING NO.	REV
	04-02-2020	RE192	0
JOB INFORMATION THIS DRAWING IS FOR PLANNING PURPOSES ONLY, DO NOT USE FOR CONSTRUCTION			