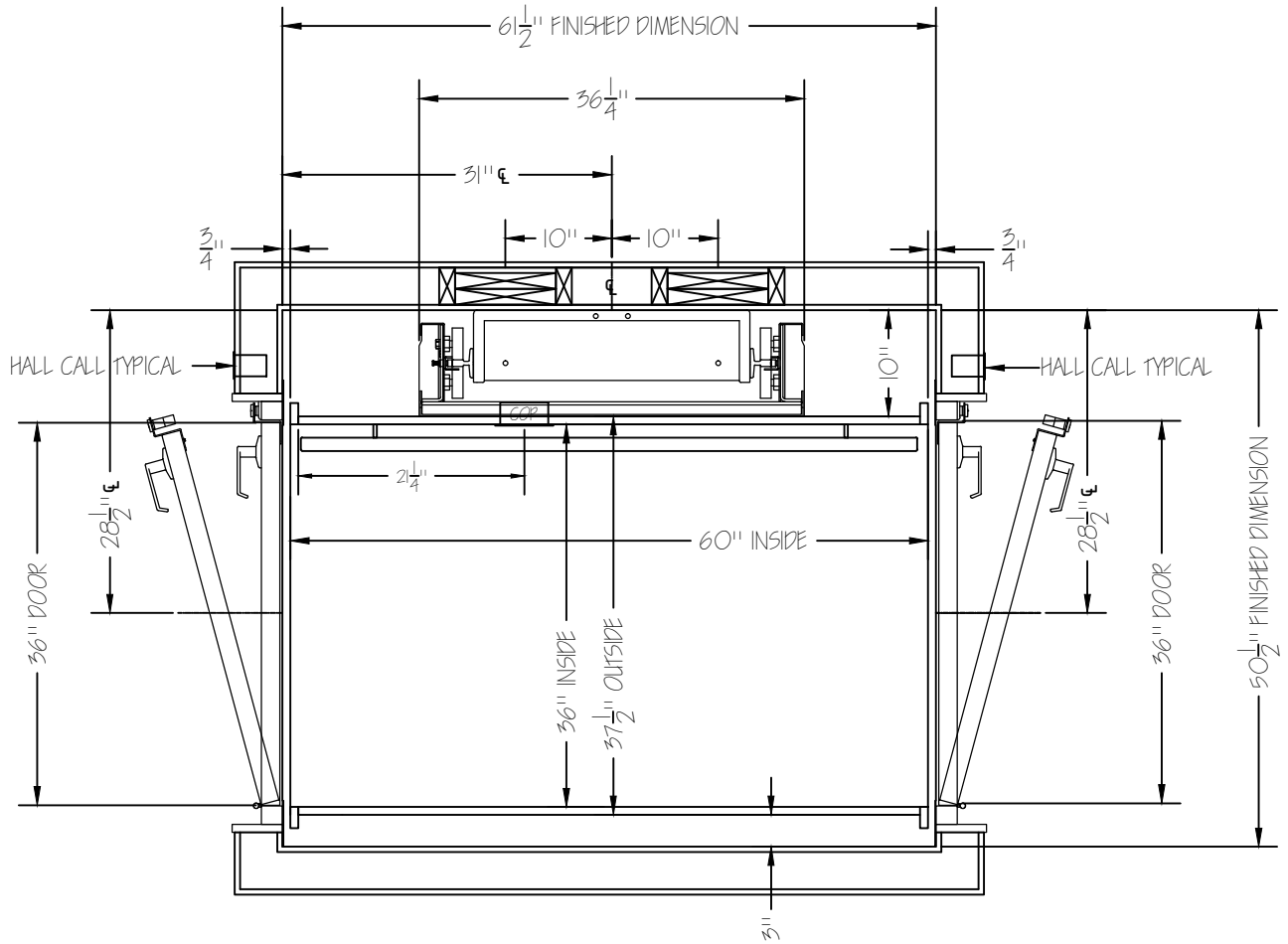


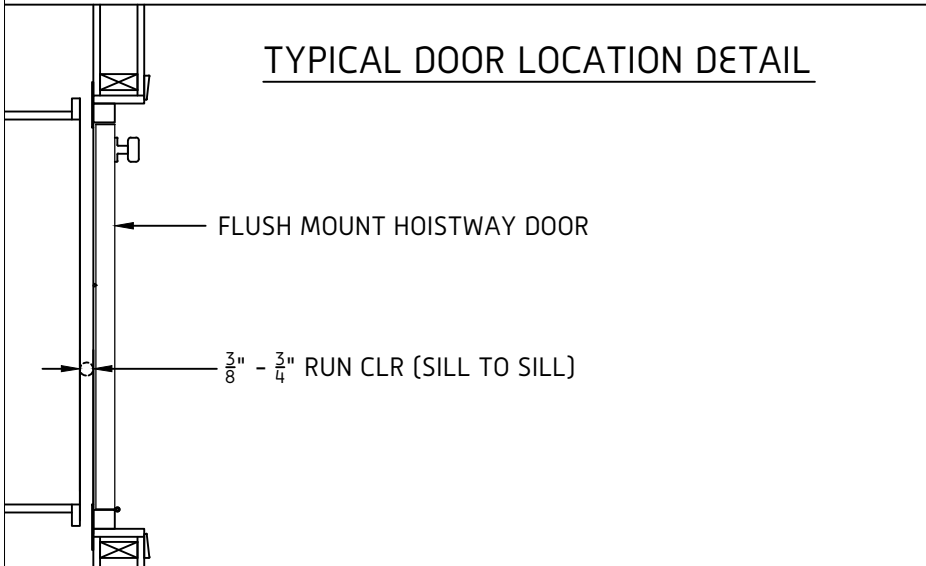
THIS DRAWING IS FOR  
 PLANNING PURPOSES ONLY  
 DO NOT USE FOR  
 CONSTRUCTION



NOTES:

- CAR FLOORING AND FINISHINGS MUST NOT EXCEED 25 LBS

TYPICAL DOOR LOCATION DETAIL



		SYMMETRY ELEVATING SOLUTIONS PH 877-375-1428	
		TITLE HYBRID 36 X 60 OPPOSITE OPENING LH RH	
DRAWN BY	ORIGINAL DATE 08-05-2020	DRAWING NO. VPL162	REV 0
JOB INFORMATION THIS DRAWING IS FOR PLANNING PURPOSES ONLY, DO NOT USE FOR CONSTRUCTION			